

HIGHLY COMPACT, HIGH-PERFORMANCE LED VIS LIGHT SOURCE

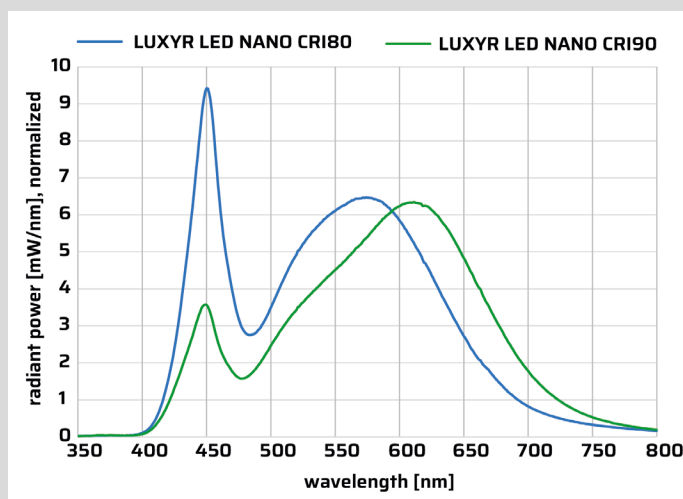
# luxyr® LED NANO



Directly usable, selectable LED type, triggerable, and ideal as a replacement for halogen or cold light sources



Front view luxyr LED NANO



Spectrum of the luxyr LED NANO variants

The luxyr LED NANO is a compact yet powerful VIS LED light source. You can choose between two LED types to find the variant that suits your application.

Thanks to the LED technology used, you get a powerful alternative to classic halogen and short-arc cold light sources: you benefit from very high light intensity without generating unwanted heat or introducing it into your microscope.

## PRODUCT HIGHLIGHTS

- Powerful VIS LED light source
- Replacement for halogen light sources
- LED type/colour temperature selectable
- Switching via trigger possible

## AREAS OF APPLICATION

- Brightfield microscopy
- Darkfield microscopy
- Forensic microscopy
- Material microscopy
- Multispectral imaging

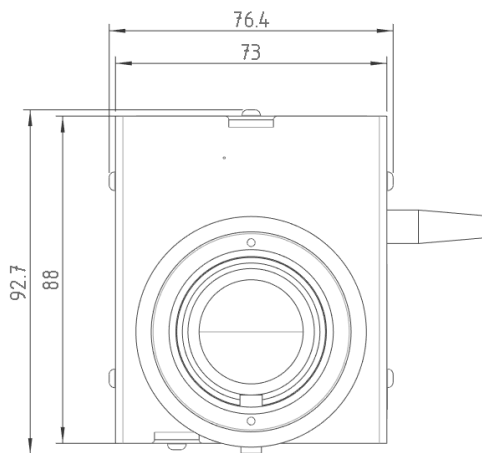
<b>CW-Mode</b>	
Description	Continuous operation with controllable luminous flux
Parameters	Ripple of the light <0.5%
<b>Follow-Mode</b>	
Description	Level-controlled operation (TTL) with preconfigured luminous flux
Parameters*	Rise time (t <sub>10-90</sub> ) + Signal runtime < 10 µs + < 5 µs
	Fall time (t <sub>90-10</sub> ) + Signal runtime < 10 µs + < 5 µs
<b>Interfaces</b>	
TTL	BNC socket for follow mode
SUPPLY	Plug connector for supply
Optical output	Collimation optics with microscope adapter (for Zeiss, Leica, Nikon, Olympus, customised)
<b>Specification</b>	
Voltage supply	12 V <sub>DC</sub>
Power recording	Max. 18 VA
Dimensions of light source	77 mm x 93 mm x 74 mm (W/H/L)
Weight	Approx. 0.5 kg light source incl. control panel
<b>Other</b>	
Scope of delivery	Light source with permanently installed control panel, microscope adapter of your choice, operating instructions, power supply unit

Colour rendering index (CRI)	Colour temperature (CCT)	Integral luminous flux
>90	3000 K	300 lm
>80	4000 K	350 lm

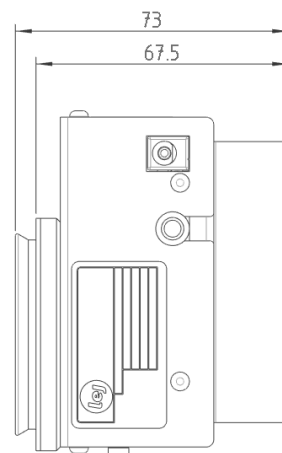
\*Maximum brightness



View of luxyr LED NANO with control panel



Top view luxyr LED NANO (without control panel) | Dimensions in mm



Front view luxyr LED NANO (without control panel) | Dimensions in mm

Errors and omissions excepted. Subject to change without notice in the interest of technical

**Contact:**

Phone: +49 3641 35 30-30 | E-Mail: sales@lej.de

Your Go-To-OEM Partner

[www.lej.de](http://www.lej.de)